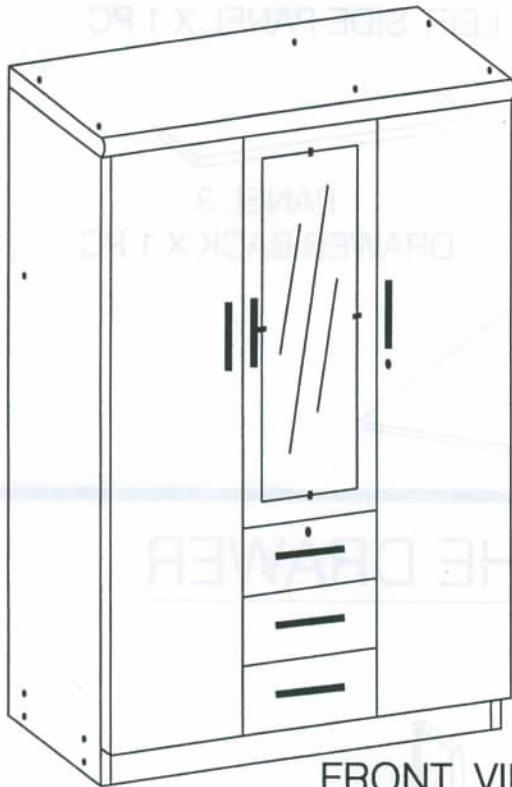


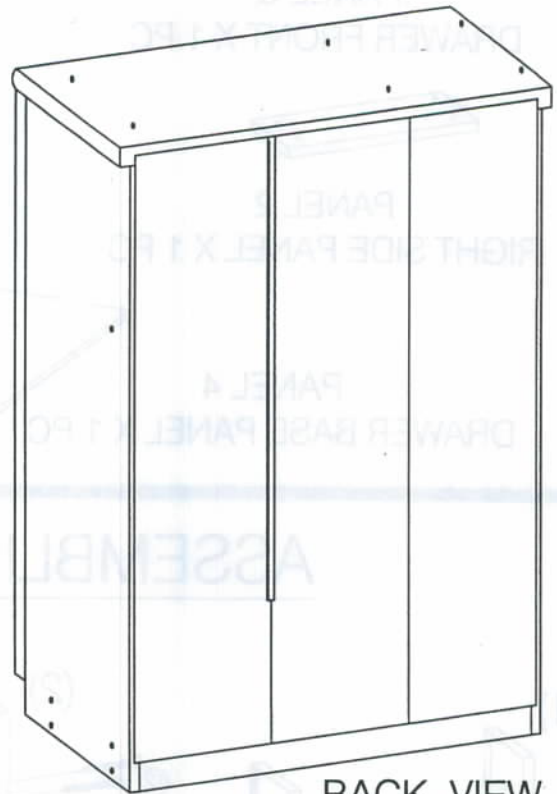
# ASSEMBLY INSTRUCTION

## HI PT45A (LO) ( 3 DOOR WARDROBE )

~ Before assembly please read the instructions ~ ~ Follow these steps to assemble the 3 Door Wardrobe ~  
 ~ Keep these instructions for future reference ~









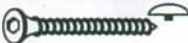






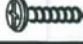






FRONT VIEW



BACK VIEW

### HARDWARE LIST

NO	MODEL	DESCRIPTIONS	QTY
1		PVC HANDLE	6 PCS
2		SCREW M 4 X 30 MM	12 PCS
3		SHELF SUPPORT	8 PCS
4		PVC DOWEL	38 PCS
5		NAIL LEG	6 PCS
6		V-BRACKET	2 PCS
7		CAM LOCK	2 SETS
8		ALLEN KEY	1 PC
9		SCREW M 6 X 40 MM	24 PCS
10		SCREW M 6 X 50 MM	4 PCS

NO	MODEL	DESCRIPTIONS	QTY
11		SCREW M 3.5 X 14 MM	58 PCS
12		SCREW M 3.5 X 32 MM	24 PCS
13		HINGERS	9 SETS
14		SCREW M 10 X 1/2 MM	18 PCS
15		Z-MIRROR BRACKET	4 PCS
16		SCREW M 3.5 X 12 MM	4 PCS
17		DRAWER SLIDE A	3 PCS
18		DRAWER SLIDE B	3 PCS
19		H-PROFILE (PVC)	1 PC
20		HANGING ROD	1 PC

21		NAIL	50 PCS
----	---	------	--------

# PARTS OF DRAWER ( R )



PANEL R  
DRAWER FRONT X 2 PC



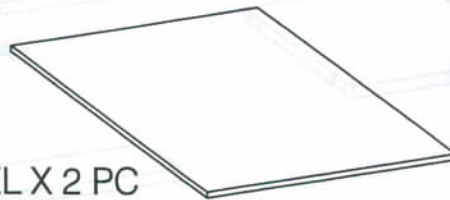
PANEL 1  
LEFT SIDE PANEL X 2 PC



PANEL 2  
RIGHT SIDE PANEL X 2 PC

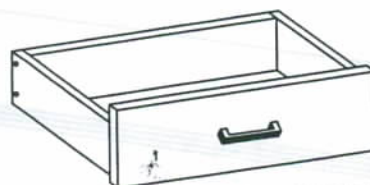
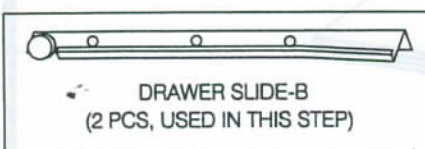
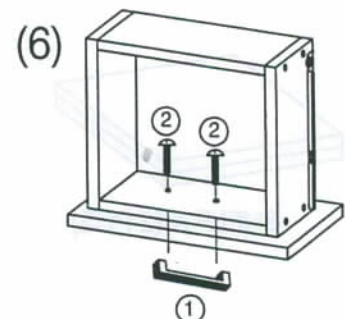
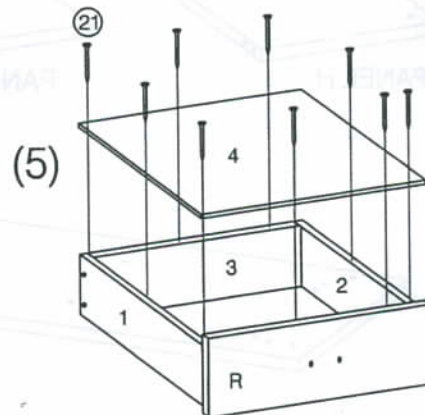
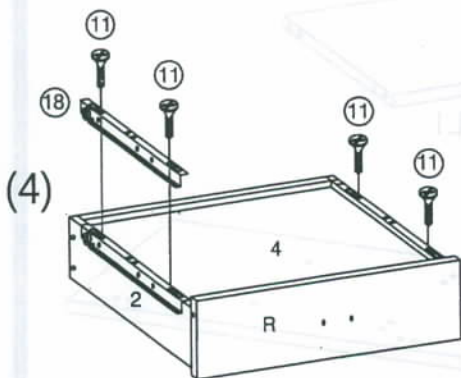
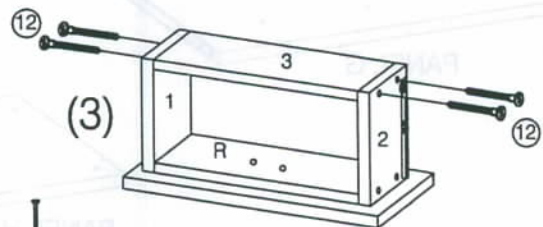
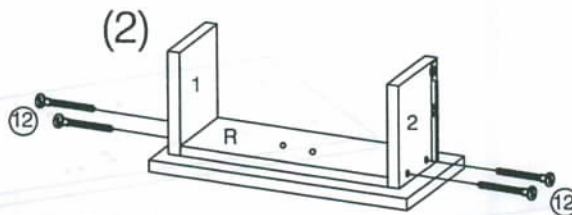
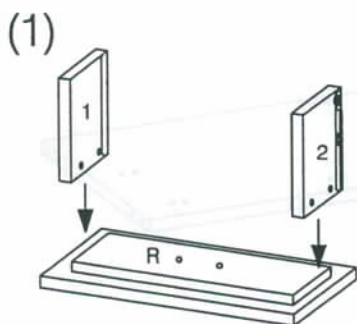


PANEL 3  
DRAWER BACK X 2 PC



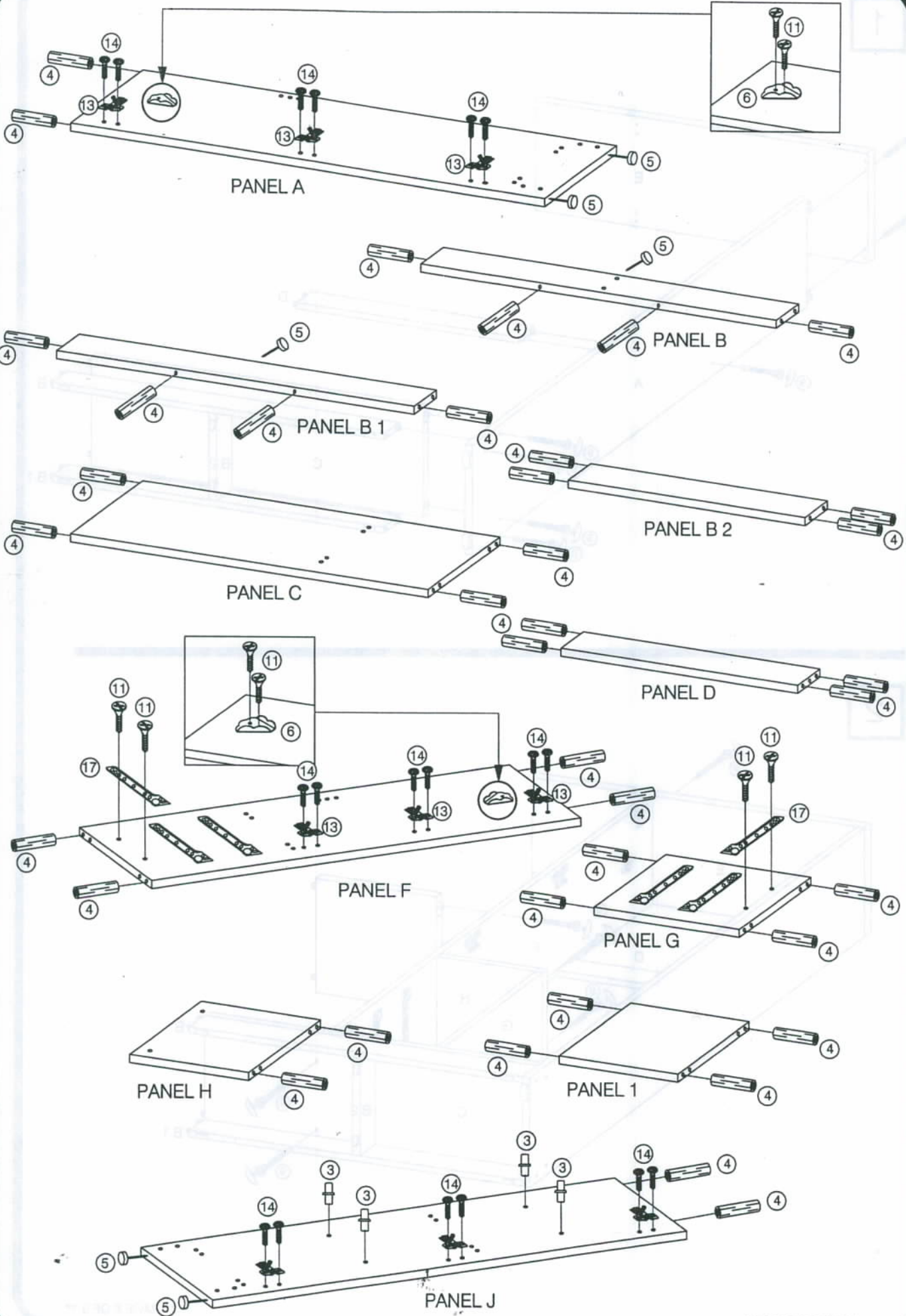
PANEL 4  
DRAWER BASE PANEL X 2 PC

# ASSEMBLING THE DRAWER

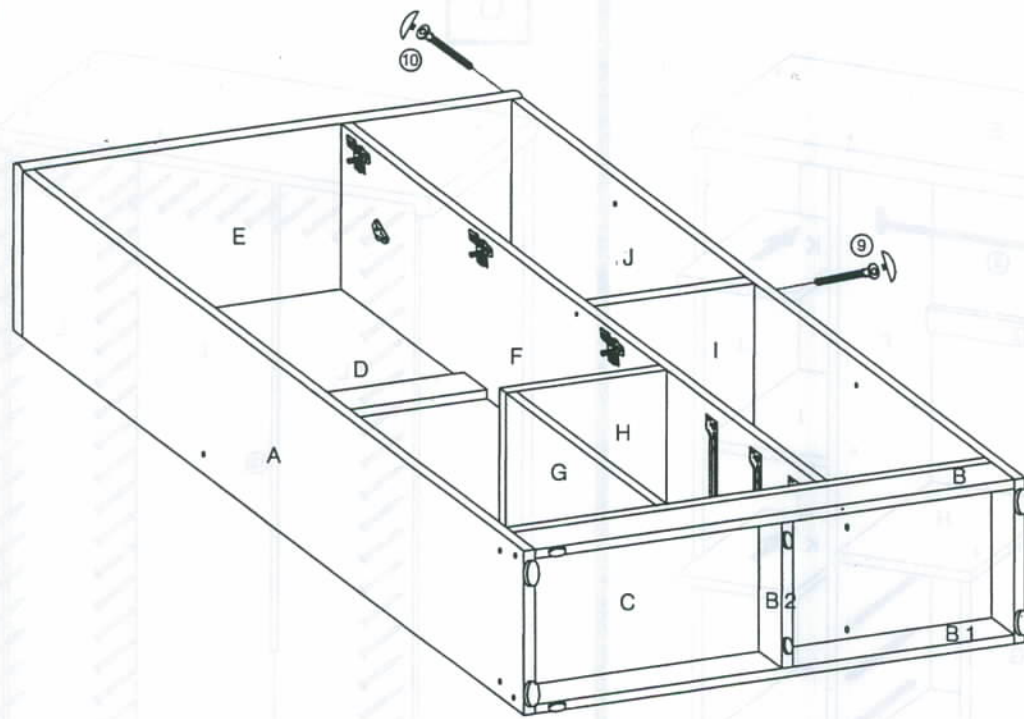


COMPLETED

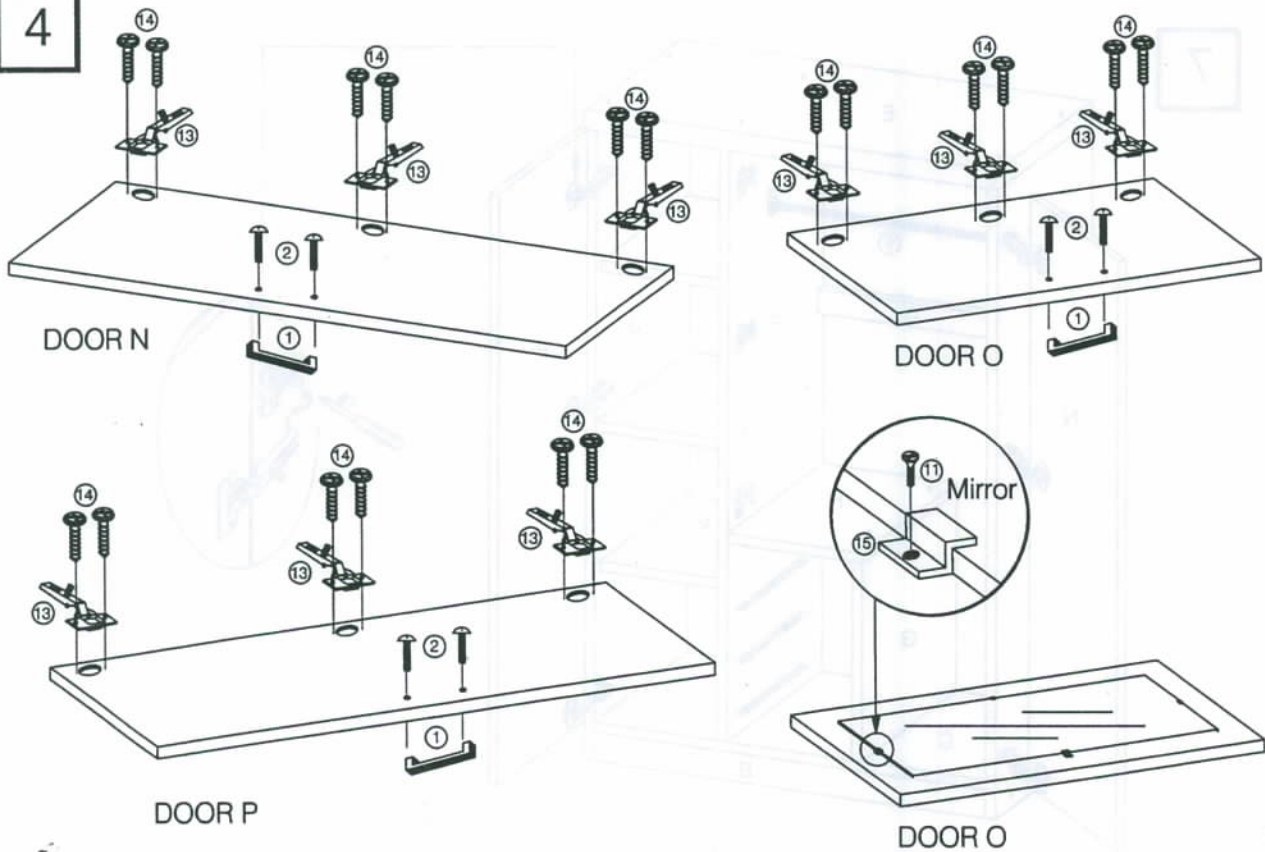




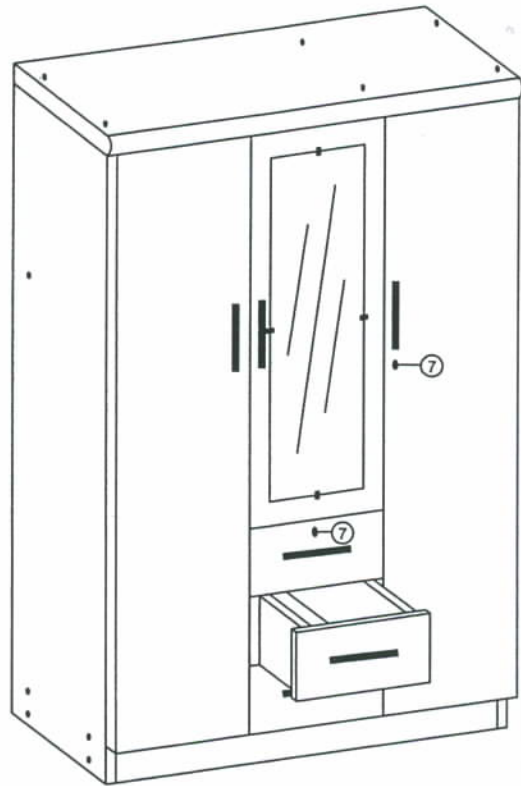
3



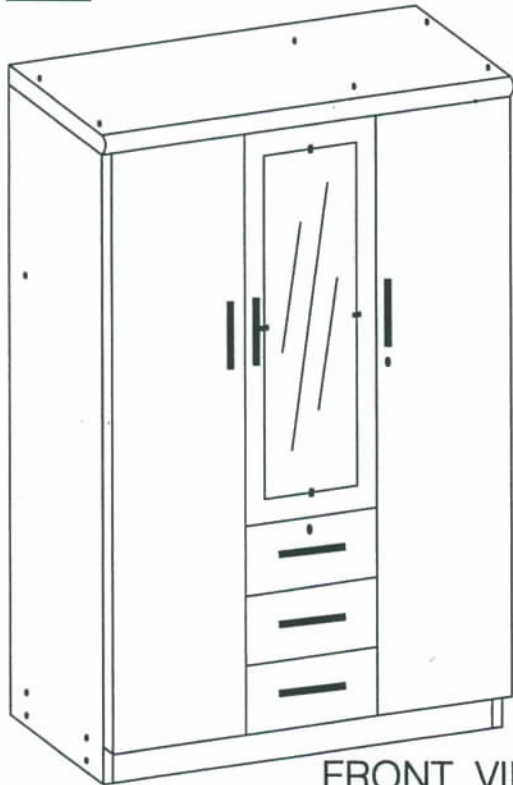
4



8

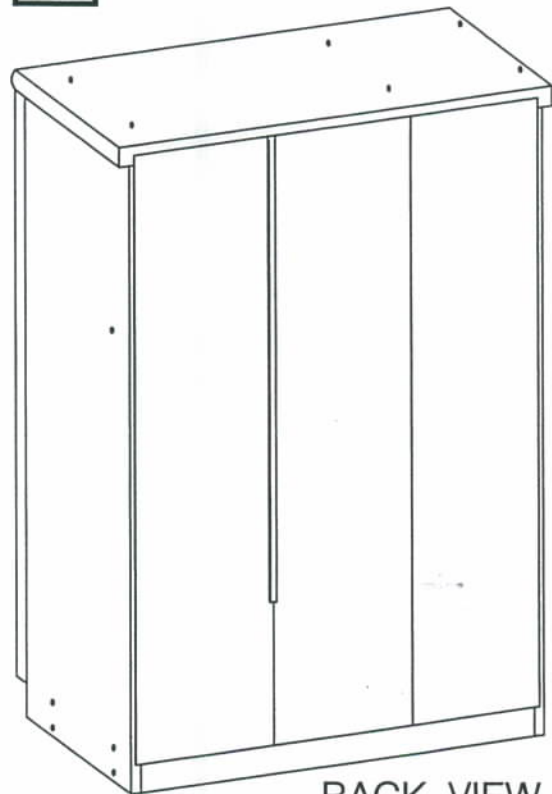


9



FRONT VIEW

10



BACK VIEW